



Model # ALT21 Shown

**KEY FEATURES**

- Touch Pad Controls
- Low Power Consumption
- Feed Pump
- Vibration Isolation Mounts
- 316SS High-Pressure Pump
- 5 Micron Pre-Filtration
- Powder Coated Aluminum Frame
- Digital Remote Display Capable
- Fully Automatic Fresh Water Flush Available

---

**FCI CONTINUES TO  
TAKE THE INDUSTRY BY STORM.**

---

Power and sail boaters who require a low power consumption watermaker will find the FCI Aqualite Series a perfect fit. But, don't let it's small stature fool you. The Aqualite Series embodies absolutely everything FCI Watermakers signifies: superior quality, top-grade materials, impeccable design and unsurpassed engineering. The Aqualite Series incorporates the highest grade components and quality craftsmanship the marine industry has to offer— after all, it is a FCI Watermakers system.

With a production output of 200 GPD, this series of watermakers presents boaters with a low power consumption alternative, producing unlimited pure water on-board for virtually all applications.

For nearly three decades, FCI Watermakers has been pioneering technologies and manufacturing the most reliable, trouble-free watermaking systems for the offshore and boating industries. Each unit is manufactured and live-tested in our facility. Your system comes with peace of mind, and a readily available customer service and technical support team. Our worldwide service network ensures proper maintenance, and unrivaled satisfaction.



**FRESH CLEAN WATER**  
 With proven reliability, your FCI watermaker provides pure drinking and bath water when you need it.



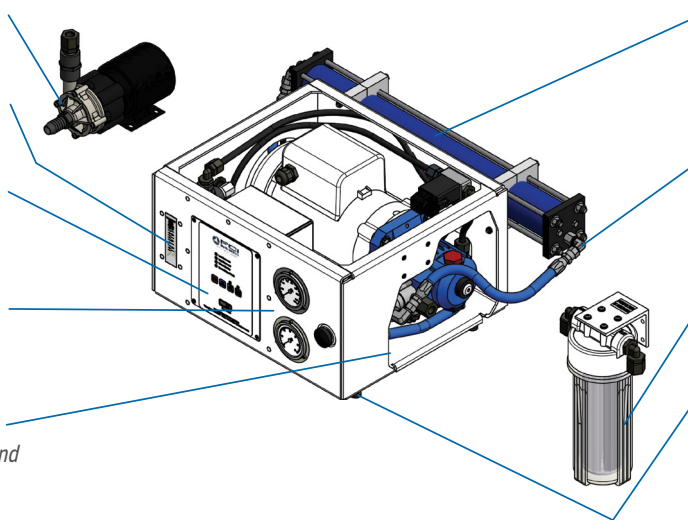
**DIGITAL REMOTE DISPLAY**  
 Allows you to monitor critical conditions of operation and execute fresh water flushes.



**FRESH WATER FLUSH**  
 This optional add-on feature prolongs the life of your system and minimizes excessive repairs.

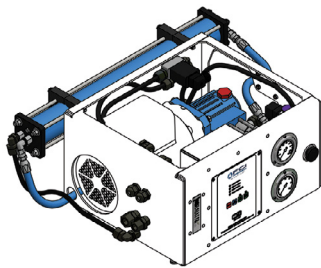
## FEATURES

- **LP FEED PUMP:** Small footprint, efficient design.
- **FLOW METER:** Visual indicator of product.
- **ELECTRICAL ENCLOSURE:** Sealed enclosure to protect electronics.
- **PRESSURE GAUGES:** Visual indicators aid troubleshooting.
- **OPEN FRAME DESIGN:** Allows easy visual inspection and access for maintenance.

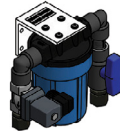


- **MEMBRANE:** High Rejection non-proprietary membranes used to obtain the highest quality of product water.
- **VESSELS:** 316 SS product/pressure ports, and FDA/NSF-51 fittings used on the product water.
- **PRE-FILTER:** 6 sq. ft. of pleated filter.
- **SHOCK MOUNTS:** Installed on frame to reduce noise and vibration.

## DIMENSIONS



### AVAILABLE PRODUCT OPTIONS



#93-4961 (120 VAC)  
#93-4962 (240 VAC)

#### FRESH WATER FLUSHT

Width	9.16 in / 232.66 mm
Depth	6.12 in / 155.45 mm
Height	8.28 in / 210.31 mm



#93-6682

#### AQ3 REMOTE

Width	5.42 in / 137.67 mm
Depth	2.12 in / 53.85 mm
Height	4.11 in / 104.39 mm

### UNIT WIDTH

Frame Only	20.15 in / 511.81 mm
with Membranes	28.00 in / 711.20 mm

### UNIT DEPTH

Frame Only	16.10 in / 408.94 mm
with Membranes	20.10 in / 510.54 mm

### UNIT HEIGHT

Frame	11.00 in / 279.40 mm
-------	----------------------



#### PRE-FILTER

Width	7.50 in / 190.50 mm
Depth	5.20 in / 132.08 mm
Height	12.45 in / 316.23 mm



#### LP PUMP

Width	3.90 in / 99.06 mm
Depth	10.15 in / 257.81 mm
Height	6.55 in / 166.37 mm

## REQUIREMENTS

### UTILITIES

Inlet	Brine	Product	FWF
1/2" Tube	1/2" Tube	3/8" Tube	1/2" Tube

### ELECTRICAL

HP	KW	VAC	HZ	PH
0.75	0.61	120 / 208-240	50 / 60	1

### MODEL

MODEL	Weight (LBS / KG)	Seawater (GPD / LPD)	Seawater (GPH / LPH)	Lower Power Consumption	Inverter Capable	120 VAC	208-240 VAC	316SS High Pressure Pump	Optional Fresh Water Flush System
AL216	68 / 30.84	200 / 757.08	8.33 / 31.53	☑	☑	☑		☑	☑
AL226	68 / 30.84	200 / 757.08	8.33 / 31.53	☑	☑		☑	☑	☑

System Rated Based on Typical Sea Water Conditions: Temperature 77° F / 25° C | TDS 32,000 | Pressure 825 PSI

The Filtration Concepts Incorporated, dba FCI Watermakers, General Terms and Conditions of Sale and applicable Warranty are incorporated herein and applicable to this Product. FCI's Customer Service Department can provide Purchaser with a copy of the General Terms and Conditions of Sale upon request.